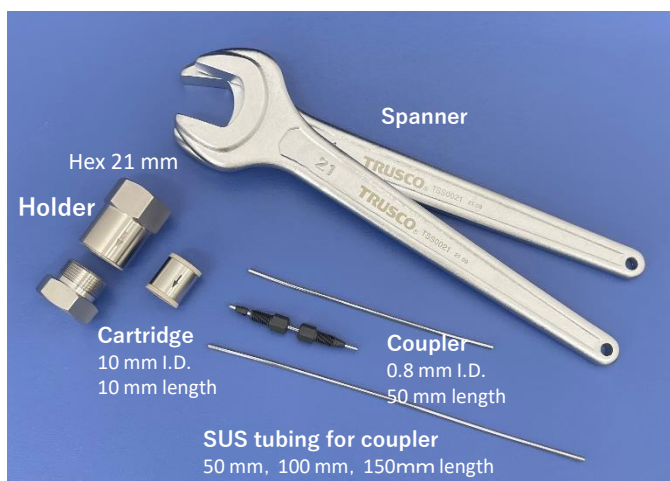


Universal High Performance Guard Cartridge Column for HPLC

# SunGuard series

Can be used regardless of column manufacturer

## SunGuard Prep for 10 mm to 20 mm I.D. preparative columns

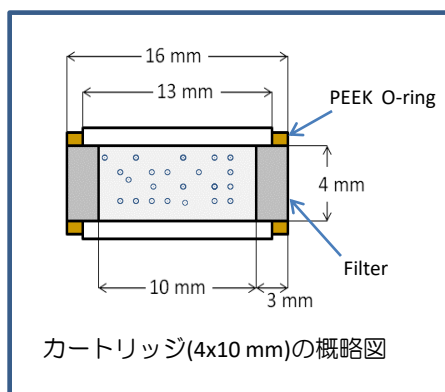


- \*Simple structure
- \*Low dead volume
- \*The plate number is maintained even after the guard cartridge column is connected.
- \*Can be used with 10 mm and 20 mm inner diameter preparative columns
- \*Upper Pressure limit is 30 MPa.
- \*Easy installation
- \*Set a starter kit with a 21mm spanner
- \*Select one coupler tubing in the starter kit from 50 mm, 100 mm, and 150 mm lengths.

**NEW**

## SunGuard for 4.6 mm I.D. analytical columns

- \*Simple structure
- \*Low dead volume
- \*The plate number is maintained even after the guard cartridge column is connected.
- \* Can be used with 3  $\mu$ m columns as well as 5  $\mu$ m columns.
- \*Upper Pressure limit is 40 MPa.
- \*Easy installation (put the cartridge in the holder, 1/4 turn with a wrench after tightening by hand)
- \*SunArmor type has high alkali durability specification.



## SunGuard Ultra for high-throughput columns or small-diameter columns



- \*"RP" (reversed phase) is SunShell C18, and "S" is SunShell HILIC-S core-shell silica packed in a cartridge with an inner diameter of 2 mm and a length of 3 mm.
- \*"RP" can be used for all reversed-phase columns, and "S" can be used for all hillic columns.
- \*Low dead volume
- \* Upper Pressure limit is 60 MPa or more.
- \*Can be used for columns with an inner diameter of 2.1 mm to 4.6 mm

※ Use SunGuard Ultra for core-shell columns (SunShell) and high-speed analysis columns with small retention volumes.

\*Ordering information is displayed on the back.

## SunGuard Prep for 10 mm to 20 mm I.D. preparative columns

Description	Particle size	Catalog number
Sunniest, SunArmor, Sunrise prep guard cartridge column starter kit (without spanner) (holder, cartridge 10 x 10 mm, coupler [length 50mm] each one)	5 µm	□□371K1
Sunniest, SunArmor, Sunrise prep guard cartridge column starter kit (without spanner) (holder, cartridge 10 x 10 mm, coupler [length 100mm] each one)	5 µm	□□371K2
Sunniest, SunArmor, Sunrise prep guard cartridge column starter kit (without spanner) (holder, cartridge 10 x 10 mm, coupler [length 150mm] each one)	5 µm	□□371K3
Sunniest, SunArmor, Sunrise prep guard cartridge column starter kit (with spanner) (holder, cartridge 10 x 10 mm, coupler [length 50mm] each one. and two spanners)	5 µm	□□371K1S
Sunniest, SunArmor, Sunrise prep guard cartridge column starter kit (with spanner) (holder, cartridge 10 x 10 mm, coupler [length 100mm] each one. and two spanners)	5 µm	□□371K2S
Sunniest, SunArmor, Sunrise prep guard cartridge column starter kit (with spanner) (holder, cartridge 10 x 10 mm, coupler [length 150mm] each one. and two spanners)	5 µm	□□371K3S
Sunniest, SunArmor, Sunrise guard cartridge (2 pieces) 10 x 10 mm	5 µm	□□371C
SunGuard Prep holder 10 x 10 mm	---	HOL71C

Blanks (□□) in the model number contain the 2-digit code corresponding to packings below.

Sunniest C18	EB	Sunniest PhE (Phenyl)	EP	Sunniest Biphenyl	E8	SunArmor C18	HB
Sunniest C8	EC	Sunniest PFP	EF	Sunniest Silica	ES	SunArmor RP-AQUA	HR
Sunniest RP-AQUA	ER	Sunniest PFP&C18	EV	Sunrise C30 (C28)	SM	SunArmor NH2	HN

## SunGuard for 4.6 mm I.D. analytical columns

Description	Particle size	Catalog number
Sunniest, Sunrise, SunArmor guard cartridge column (Holder, cartridge, each one) 4 x 10 mm	5 µm	□□3A1H
Sunniest, Sunrise, SunArmor cartridge for exchange (4 pieces) 4 x 10 mm	5 µm	□□3A1C
SunArmor guard cartridge column (Holder, cartridge, each one) 4 x 10 mm	5 µm	□□3A1H

Blanks (□□) in the model number contain the 2-digit code corresponding to packings below.

Sunniest C18	EB	Sunniest PhE (Phenyl)	EP	Sunniest Biphenyl	E8	SunArmor C18	HB
Sunniest C8	EC	Sunniest PFP	EF	Sunniest Silica	ES	SunArmor RP-AQUA	HR
Sunniest RP-AQUA	ER	Sunniest PFP&C18	EV	Sunrise C30 (C28)	SM	SunArmor NH2	HN

## SunGuard Ultra for high-throughput columns or small-diameter columns

Description	Catalog number
SunShell Guard cartridge RP Starter Kit (Holder, Cartridge 2 x 3 mm, Coupler, each one)	CB32CK
SunShell RP cartridge for exchange (2 pieces) 2 x 3 mm	CB32CC
SunShell Guard cartridge S Starter Kit (Holder, Cartridge 2 x 3 mm, Coupler, each one)	CS32CK
SunShell S cartridge for exchange (2 pieces) 2 x 3 mm	CS32CC
SunGuard Ultra holder 2 x 3 mm	HOL2CC

\*The holder is not included with the "guard cartridge for exchange". A holder is required for use.

\*For SunGuard Prep/SunGuard Ultra, we recommend the starter kit, which comes with a complete set of connection parts, for the first time. SunGuard does not have a starter kit.

\*Please note that the appearance and specifications are subject to change without notice.