

# NEW FROM VICI JOUR

## TUBING

VICI offers new FS tubing, new SS Precut tubing kits for Micro LC, new tubing packaging sizes, and new tubing dimensions.

### NEW Untreated fused silica (FS) capillaries

PAGE 18

Our NEW FS capillaries are manufactured from fused silica coated with a layer of polyimide to make them more flexible and robust. These chemically inert capillaries, stable at temperatures up to 350°C, are suitable for Micro and Nano LC applications involving organic solvents and other fluids in pH ranges from 0 to 10.

Sold by the meter.

OD	ID	per meter Product No.
360 µm	25 µm	JR-T-7360-025
	50 µm	JR-T-7360-050
	75 µm	JR-T-7360-075
	100 µm	JR-T-7360-100
	150 µm	JR-T-7360-150
	180 µm	JR-T-7360-180



### NEW Polymeric tubing – new sizes

PAGES 9-13, 15-16

For our full lines of PEEK, ETFE, PFA, FEP, and PTFE tubing, see pages noted above.

	OD	ID (mm)	1.5 m Product No.	3 m Product No.	10 m Product No.	15 m Product No.	25 m Product No.
PEEK	1/32"	0.15	JR-T-5706-M1.5	JR-T-5706-M3	JR-T-5706-M10	—	—
ETFE	1/8"	2.40	JR-T-089-M1.5	JR-T-089-M3	JR-T-089-M10	JR-T-089-M15	JR-T-089-M25
	6.4 mm	4.8	—	JR-T-090-M3	—	—	—

	OD	ID (mm)	per meter Product No.
PEEK	1/16"	0.064	JR-T-5998-0005
PFA	1/4"	3.97	JR-T-4006
		4.80	JR-T-4008
FEP, natural	4 mm	3.00	JR-T-6860
	1/4"	3.96	JR-T-6840
		3/16"	JR-T-6841
	5/16"	1/4"	JR-T-6650
PTFE, natural	1/8"	1.00 mm	JR-T-6820
	6.00 mm	4.00 mm	JR-T-4042
	6.35 mm	4.76 mm	JR-T-6810
	8.00 mm	6.00 mm	JR-T-4050
	12.7 mm	9.53 mm	JR-T-4043





### STAINLESS STEEL TUBING

VICI is now able to offer smaller diameters in 360 micron, 1/32", and 1/16" OD stainless tubing.

#### NEW Stainless tubing – standard grade UHPLC PAGE 19

OD	ID (mm)	1.5 m Product No.	3 m Product No.	10 m Product No.
1/16"	0.10	JR-T-625-03-M1.5	JR-T-625-03-M3	JR-T-625-03-M10

#### NEW Stainless tubing – premium grade UHPLC PAGE 19

For Micro and Nano LC

OD	ID (µm)	per meter Product No.
360 µm	75	JR-T-623-03
	150	JR-T-623-06



#### NEW Pre-cut tubing for Micro LC PAGE 20

1/32" OD tubing with IDs of 50 and 75 micron is only offered in pre-cut lengths. Each pre-cut piece is electrolytically cut and steam cleaned, ready for use in any (U)HPLC System.

OD	ID (mm)	Color	50 mm Product No.	100 mm Product No.	130 mm Product No.
1/32"	0.050	Blue	JR-T-91050	JR-T-91100	JR-T-91130
	0.075	Black	JR-T-92050	JR-T-92100	JR-T-92130

OD	ID (mm)	Color	180 mm Product No.	200 mm Product No.	300 mm Product No.
1/32"	0.050	Blue	JR-T-91180	JR-T-91200	JR-T-91300
	0.075	Black	JR-T-92180	JR-T-92200	JR-T-92300

#### NEW Pre-cut tubing for standard HPLC PAGE 21

VICI added SS pre-cut lengths of 130 mm and 180 mm for 1/16" OD tubing and for pre-cut flexible stainless steel tubing. Lengths of 130 mm and 180 mm are commonly used for (U)HPLC systems.




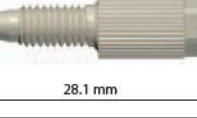
OD	ID (mm)	Color	130 mm Product No.	180 mm Product No.
1/16"	0.13	Red	JR-T-97012	JR-T-97013
	0.18	Yellow	JR-T-97032	JR-T-97033
	0.25	Blue	JR-T-97057	JR-T-97058
	0.50	Orange	JR-T-97082	JR-T-97083
	0.75	Green	JR-T-97102	JR-T-97103

## FITTINGS

### NEW PEEK one-piece fingertight fittings 10-32 PAGE 26

- Reinforced glass fiber (GF) PEEK.
- Fingertight up to 350 bar (5000 psi)
- One-piece – no ferrule required
- Biocompatible

Sold in packages of 5.

(Package/5)	Material	Product No.
Standard	Reinforced GF PEEK 	JR-5513-5 
Narrow hexhead/ fingertight	Reinforced GF PEEK 	JR-5518-5 

### NEW High pressure PEEK-HT™ one-piece fittings PAGE 27

VICI fittings made from PEEK™ HT are rated up to 500 bar as fingertights and up to 1000 bar when tightened with a tool. The superior material also provides the benefit of longer life time; that is, the fittings can be tightened/ loosened more often.



Sold in packages of 5.



(Package/5)	Product No.
JR-55031-5	



### NEW Medium pressure PVDF one-piece fingertight fittings PAGE 26

VICI fingertight fittings made from PVDF are rated up to 180 bar. They are applicable up to medium pressures; using polymeric tubing they prevent constriction of tubing as with PEEK fingertight fittings. Sold in packages of 5.

(Package/5)	PVDF	Translucent white	JR-55020-PVDF-5
			

### NEW Low pressure polypropylene adapters PAGE 54

VICI offers two additional low pressure PP adapters with 1/4-28 bottom sealing thread, to male Luer lock and to barbed 1/16".

	Inlet	Outlet	Product No.
(Sold individually)	Male	1/4-28 UNF BST	Barbed 1/16"  JR-075012
(Package/10)	Male	Luer	Male 1/4-28 UNF BST  JR-070226-10


## FILTERS

### HIGH PRESSURE

High pressure precolumn and inline filters now include 0.2 micron filter elements. These filters prevent any damage to chromatographic columns, enabling safe, robust chromatographic separations.

#### NEW Stainless steel precolumn filter UHPLC

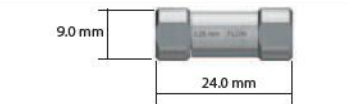
PAGE 64

Bore size	Pore size	Internal volume	Product No.	
0.13/0.15 mm	0.2 µm	0.66 µL	JR-69230-02	

#### NEW Stainless steel in-line filter UHPLC

UHPLC

PAGE 65

Bore size	Pore size	Internal volume	Product No.	
0.25 mm	0.2 µm	0.3 µL	JR-68230-02	

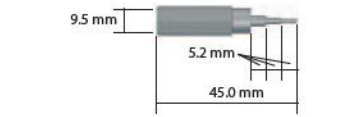
### LOW PRESSURE

For low pressure, a newly designed all-stainless mobile phase filter comes with a stainless stepped connector for direct coupling to mobile phase tubing. The filter is available in three different porosities – 2, 10, and 20 micron.

#### NEW Stainless steel mobile phase filter/helium sparger

LOW PRESSURE

PAGE 61

Fitting type	Tubing ID/pipe size	Pore size	Product No.	
Stepped	1/16", 3/32", and 3.76 mm	2 µm	JR-8000-0495-2	
		10 µm	JR-8000-0495-10	
		20 µm	JR-8000-0495-20	



## SAFETY

### Safety exhaust filters with **NEW** breakthrough detectors PAGES 68-69



Exhaust filter with **NEW** detector

VICI offers exhaust filters with new breakthrough detectors. The newly-designed total organic vapor (TOV) breakthrough detector allows additional detection of aliphatic hydro-carbons (i.e. hexane) and aromatic hydrocarbons (i.e. benzene).



### **NEW** Replacement exhaust filter kits PAGE 68

Includes three exhaust filters, three breakthrough detectors (if ordered), and a carrying case.

Description	Product No.
<b>Exhaust filter kit</b>	<b>JR-S-35</b>

Kit includes:	Qty	Product No.
Exhaust filters with breakthrough detectors	3	JR-S-20005
Carrying case	1	JR-S-35L

Description	Product No.
<b>Exhaust filter kit without detectors</b>	<b>JR-S-36</b>

Kit includes:	Qty	Product No.
Exhaust filters without breakthrough detectors	3	JR-S-20002
Carrying case	1	JR-S-35L

### VICI CAP KITS PAGE 74

HPLC systems use up to four different mobile phases. We offer two safety cap kits for use with gradient (up to quaternary) HPLC systems.

#### **NEW** VICI cap kit GL45 THREADS



Description	Product No.
<b>VICI cap kit</b>	<b>JR-S-31</b>
<i>Kit includes:</i>	<i>Qty Product No.</i>
VICI caps, GL45, three ports	4 JR-S-11002
Air inlet valves with 4 mm filters	4 JR-S-20003
PP plugs	4 JR-201999
Carrying case	1 JR-S-31

#### **NEW** VICI cap kit GL45 THREADS



Description	Product No.
<b>VICI cap kit</b>	<b>JR-S-32</b>
<i>Kit includes:</i>	<i>Qty Product No.</i>
VICI caps, GL45, two ports	3 JR-S-11001
VICI cap, GL45, three ports	1 JR-S-11002
Air inlet valves with 4 mm filters	4 JR-S-20003
PP plug	1 JR-201999
Carrying case	1 JR-S-31L

### MULTI CAPS PAGES 80-82

VICI's **NEW** multi caps can be used either for mobile phase or for waste bottles/canisters. Thread sizes include GL38, GL45, DIN50, S51, B53, DIN60, S61, GLS80, and B83.

All multi caps come with a set of angled PA barbed adapters for connecting tubing with 4mm, 6mm and 8mm ID, as well as a PA plug for the M10x1 bore and PP plugs for the 1/4-28 bores.



GL38 threads  
JR-S-13011



GL45 threads  
JR-S-11052



DIN60 threads  
JR-S-16052



GLS80 threads  
JR-S-18053

## PEEK SAMPLE LOOPS

PAGE 95

PEEK sample loops with volumes of 1, 2, 3 and 4 microliters are available for all types of valves – Cheminert, Valco, and Rheodyne.

### NEW For Cheminert valves

Fit all Cheminert C1, C1CF, C2, C2V, and C3 type valves.



Sample size	Pressure*		Product No.
	bar	psi	
1 µl	480	7000	JR-SLC-85-1
2 µl	460	6700	JR-SLC-85-2
3 µl	460	6700	JR-SLC-85-3
4 µl	460	6700	JR-SLC-85-4

### NEW For Valco valves

Fit all 1/16" Valco W and UW type valves.

Sample size	Pressure*		Product No.
	bar	psi	
1 µl	480	7000	JR-SLV-75-1
2 µl	460	6700	JR-SLV-75-2
3 µl	460	6700	JR-SLV-75-3
4 µl	460	6700	JR-SLV-75-4

### NEW For Rheodyne valves

Fit all Rheodyne metal and metal-free valves.



Sample size	Pressure*		Product No.
	bar	psi	
1 µl	480	7000	JR-SLR-2190
2 µl	460	6700	JR-SLR-2191
3 µl	460	6700	JR-SLR-2192
4 µl	460	6700	JR-SLR-2193



## ACCESSORIES

### NEW HPLC Backpressure regulators

PAGE 102

Our newest backpressure regulator is made from stainless steel, rated up to 300 bar (4200 psi). It can be used for preparative and SFC applications.



	Range		Housing	Product No.
	90-300 bar	1300-4200 psi		
Stainless steel			SS	JR-BPR3

### NEW Utility box

PAGE 105

This empty toolbox can be equipped by each individual. Utility boxes help store all the chromatographic accessories in the lab; moreover, they can be easily moved to wherever the chromatographic system is located.



	Product No.
Utility box	JR-35U